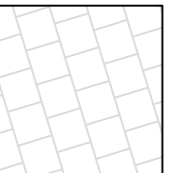
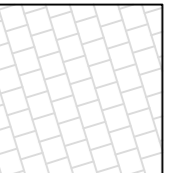
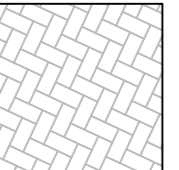


-  Proposed Textured Flag Paving (Grey in colour) 450mm x 450mm x 70mm or equivalent.
-  Proposed Textured Blocks (White) 200mm x 200mm x 50mm or equivalent.
-  Proposed Permeable Paving Blocks (Graphite Grey) 200mm x 100mm x 80mm or equivalent.

Based upon the Ordnance Survey mapping with permission of the Controller of Her Majesty's Stationery Office. © Crown Copyright. Unauthorised reproduction infringes Crown copyright and may lead to prosecution or civil proceedings.

Isle of Wight Council Licence No. 100019229/2022

| Rev. | Description | Initials | Date |
|------|-------------|----------|------|
|      |             |          |      |



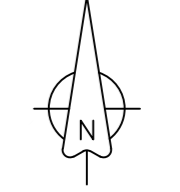
Island Roads  
 St. Christopher House  
 42 Dash Way  
 Newport  
 Isle of Wight  
 PO30 5XJ

Stephen Ashman  
 Service Director, Island Roads

Classification  
**CONCEPT**

Project  
**Newport HAZ**

Drawing Title  
**Presentation Plan**

|   |                    |           |              |          |
|---|--------------------|-----------|--------------|----------|
| North Point   | Drawn              | MRD       | Date         | 15/02/23 |
|  | Checked            |           | Date         |          |
|   | Scale              | 1:100 @A0 | Revision     | -        |
|   | Contract Sheet No. |           | Sheet 1 of 1 |          |
|   | Drawing Number     |           |              |          |